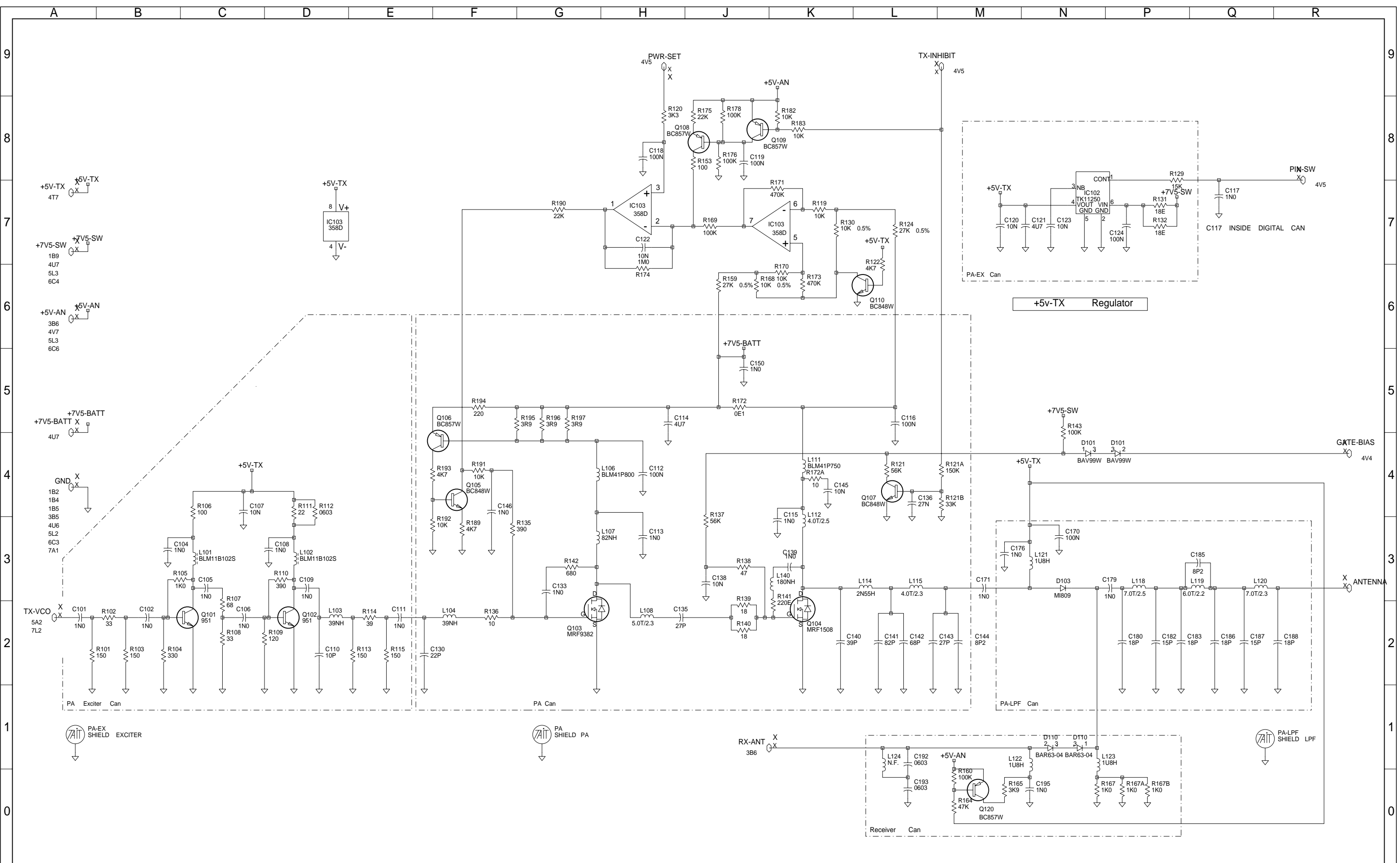


04A	CCO	1588/005.009.010	CM/BD/CK		16/11/99
03B	4 SPR.PINS TO SMD. SEALS NONSMD	CCO No.1588-007	TS		06/10/99
02B	PARTS ADDED TO SAVE POWER		BRD		11/06/99
02B	GEN-NEW PASTE SCREEN FOR DEK		BRD		02/06/99
02A	MINOR MOD TO CCT AND VALUES		SPICJK		25/05/99
01A	NEW PA LINEUP		BCS/CJK		12/02/99
REV/ISS	AMENDMENTS		DRAWN	CHKD	D.O.
					APVD
					DATE



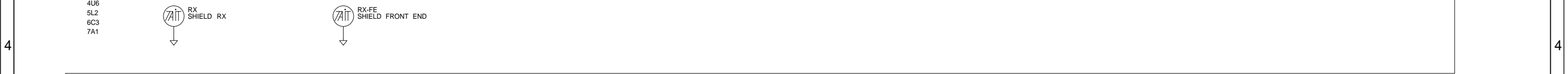
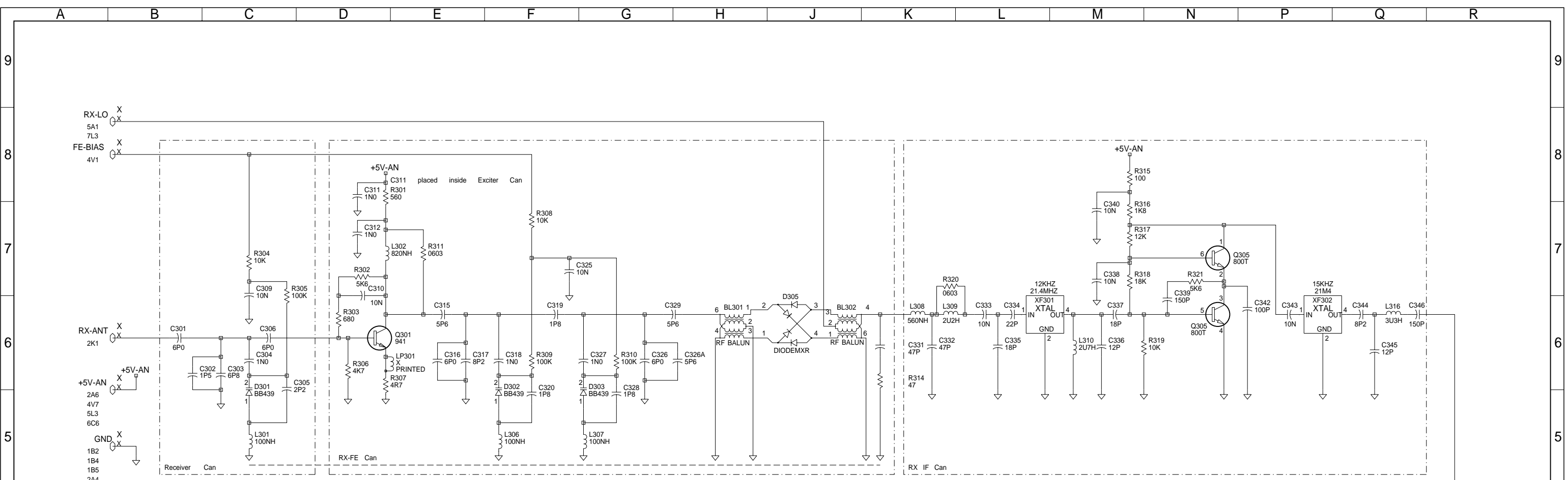
**VHF**  
Tait Orca

© TAIT ELECTRONICS	
ORCA	:TP010-3122 136-174MHZ
SYSTEM DIAGRAM	
IPN: 220-01588-04	ISSUE: A
DESIGNER: TAIT ORCA	FILE DATE: 16-Nov-99
BRD: 158804a	NO.SHEETS: 7



© TAIT ELECTRONICS  
 ORCA :TP010-3122 136-174MHZ  
 POWER AMPLIFIER  
 IPN: 220-01588-04 ISSUE: A ID: 2.S.C. 2  
 PROJECT: ORCA DESIGNER: BRD FILE NAME: 158804a FILE DATE: 16-Nov-99 NO.SHEETS: 7

REV/ISS	AMENDMENTS	DRAWN	CHKD	D.O.	APVD	DATE
A						



Variant Table

Part	NB	MB	WB
XF303	G		D
XF304	G		D
R390	330K		68K
R355	47K		22K
C370	27p		22p
C369	470p		330p

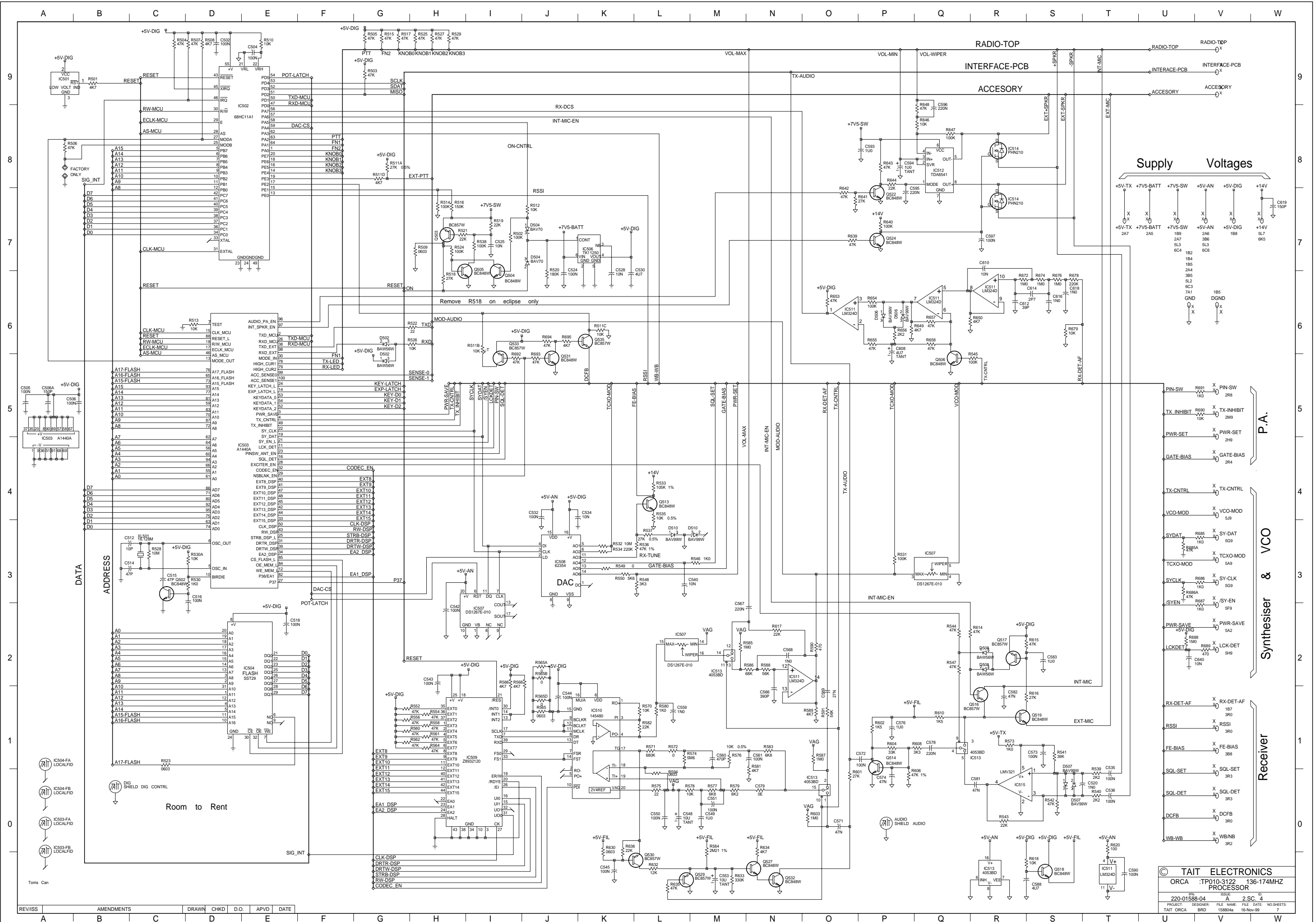
© TAIT ELECTRONICS

ORCA :TP010-3122 136-174MHZ RECEIVER

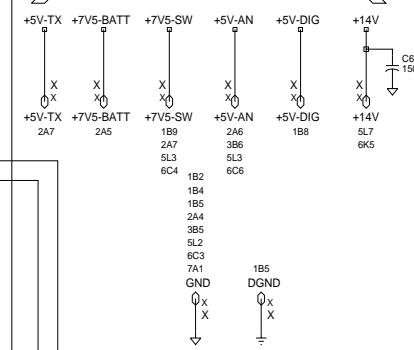
IPN: 220-01588-04 ISSUE: A ID: 2.S.C. 3

PROJECT: TAIT ORCA BRD DESIGNER: FILE NAME: 158804a DATE: 16-Nov-99 NO.SHEETS: 7

REV/ISS	AMENDMENTS	DRAWN	CHKD	D.O.	APVD	DATE
A						



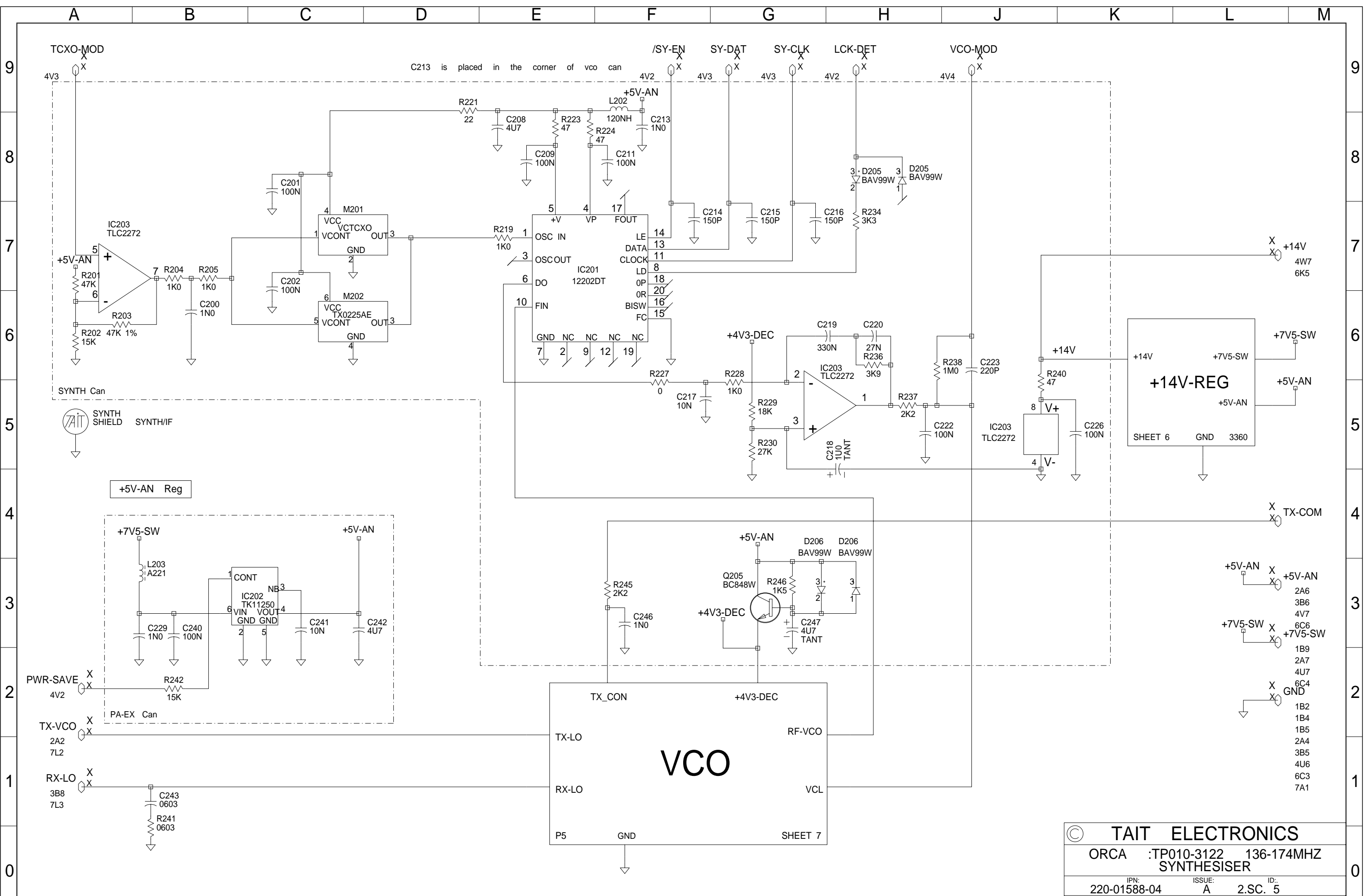
**Supply Voltages**



- PIN-SW X 28B
- TX-INHIBIT X 28B
- PWR-SET X 28B
- GATE-BIAS X 28B
- TX-CNTRL X 28B
- VCO-MOD X 510
- SY-DAT X 509
- TCXO-MOD X 549
- SY-CLK X 509
- SY-EN X 509
- PWR-SAVE X 542
- LCK-DET X 549
- RX-DET-AF X 380
- RSSI X 380
- FE-BIAS X 388
- SOL-SET X 383
- SOL-DET X 383
- DCFB X 380
- WB-WB X 382

© TAIT ELECTRONICS  
 ORCA :TP10-3122 136-174MHZ  
 PROCESSOR  
 220-01588-04 A 2-SC 4  
 PROJECT DESIGNER FILE NAME FILE DATE NO SHEETS  
 TAIT ORCA BRD 158804a 16-Nov-99 7

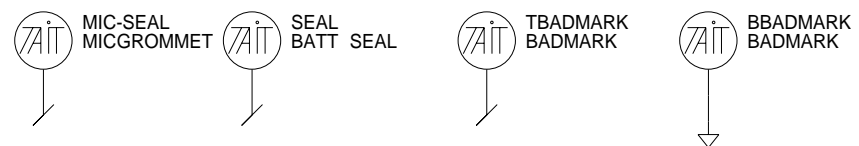
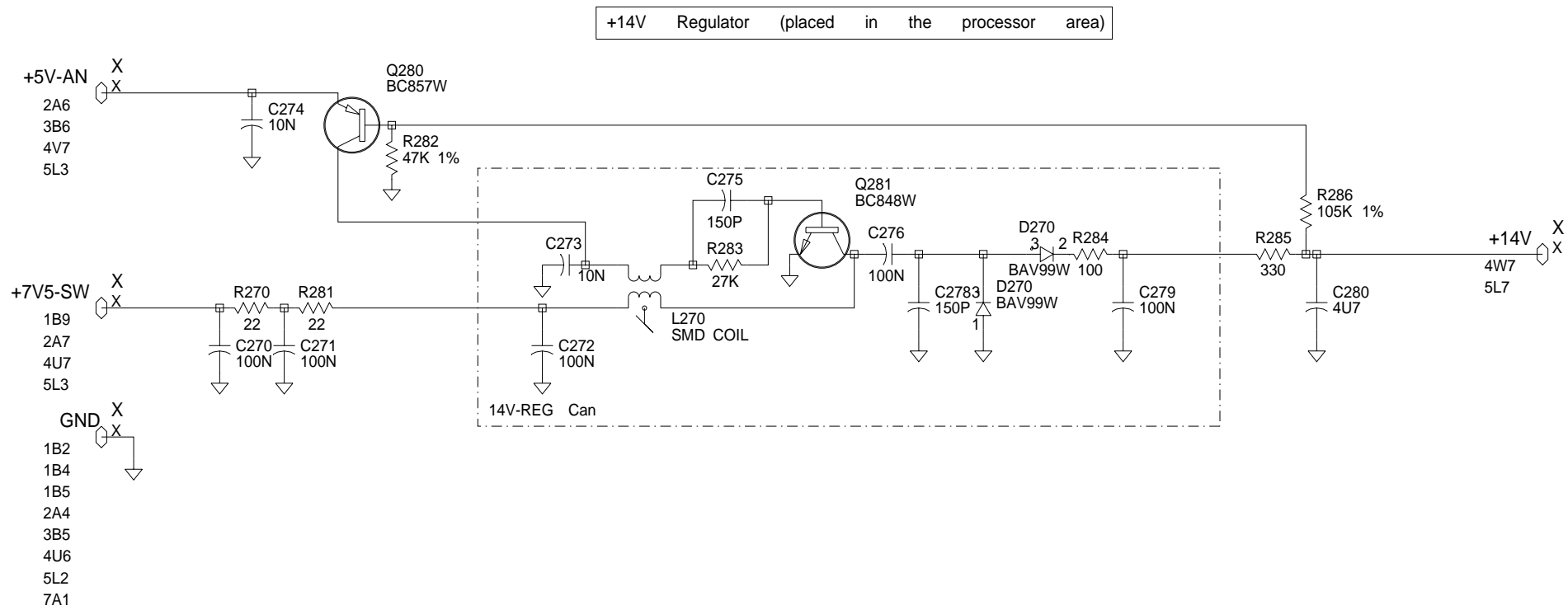
REV/ISS	AMENDMENTS	DRAWN	CHKD	D.O.	APVD	DATE
A						
B						
C						
D						
E						
F						
G						
H						
I						
J						
K						
L						
M						
N						
O						
P						
Q						
R						
S						
T						
U						
V						
W						



© TAIT ELECTRONICS				
ORCA		:TP010-3122		136-174MHZ
SYNTHESISER				
IPN:	ISSUE:	ID:		
220-01588-04	A	2.SC. 5		
PROJECT:	DESIGNER:	FILE NAME:	FILE DATE:	NO.SHEETS:
TAIT ORCA	BRD	158804a	16-Nov-99	7

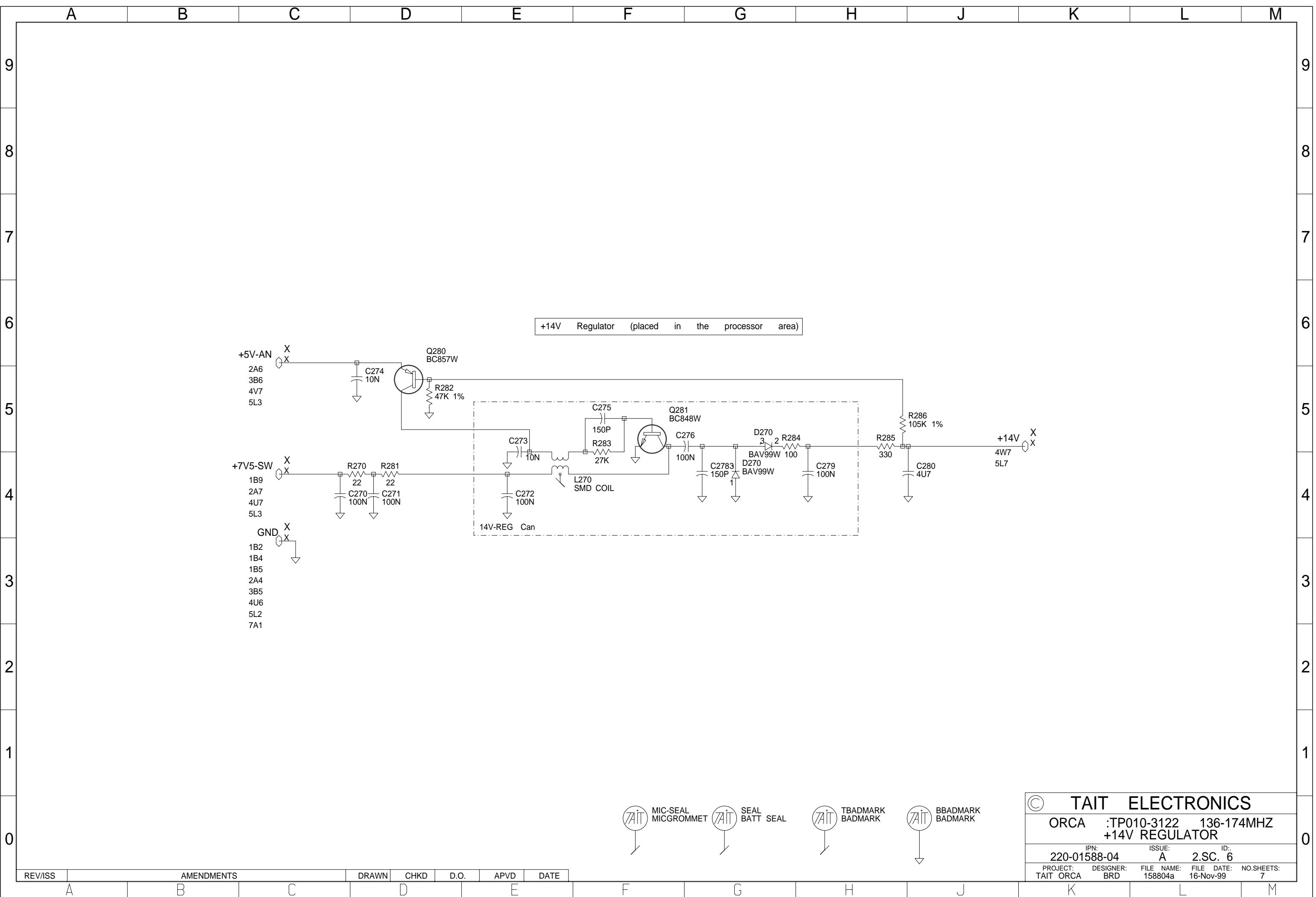
REV/ISS	AMENDMENTS	DRAWN	CHKD	D.O.	APVD	DATE

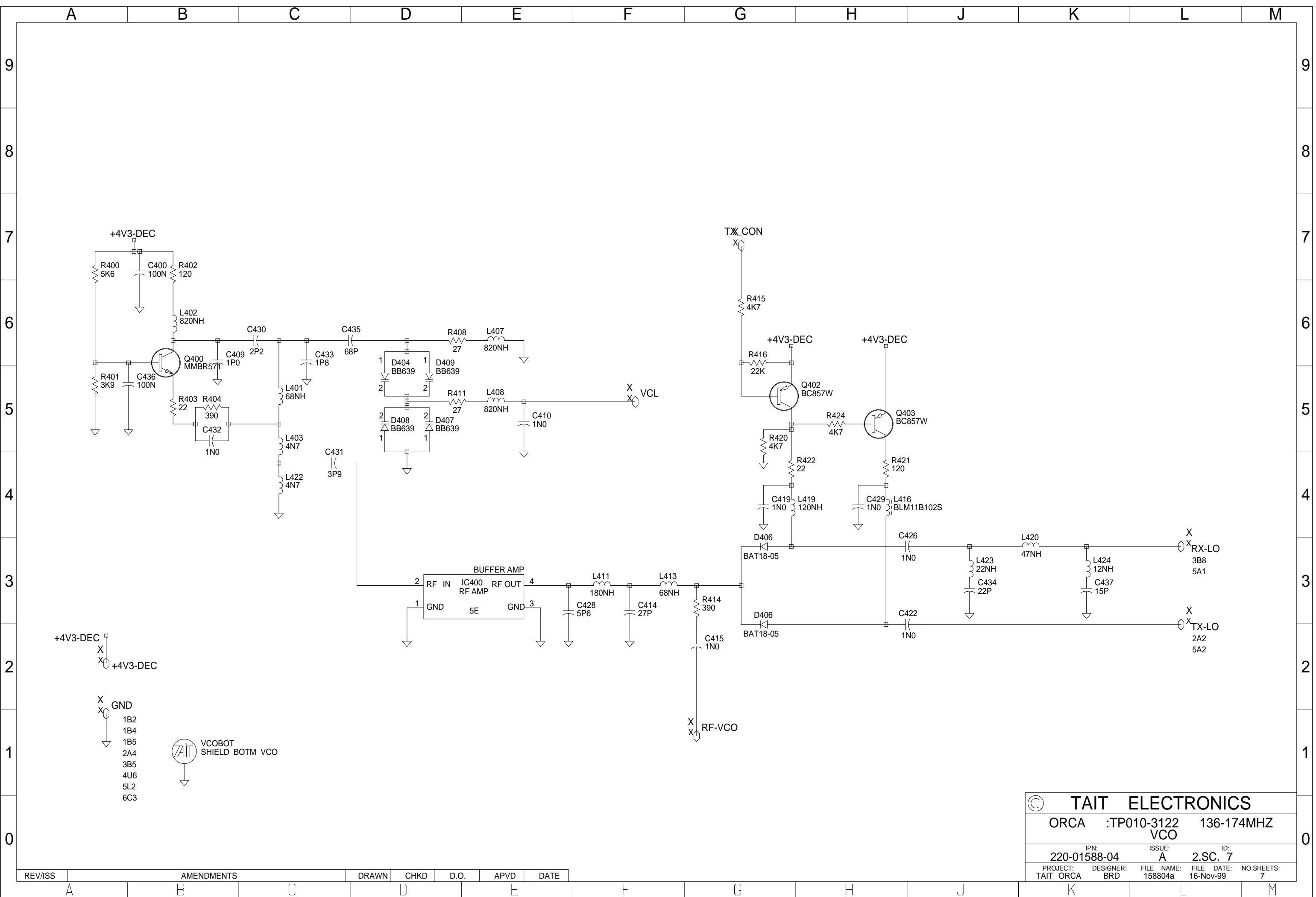
- X 2A6
- X 3B6
- X 4V7
- X 6C6
- X 7V5-SW
- X 1B9
- X 2A7
- X 4U7
- X 6C4
- X GND
- X 1B2
- X 1B4
- X 1B5
- X 2A4
- X 3B5
- X 4U6
- X 6C3
- X 7A1



© TAIT ELECTRONICS				
ORCA		:TP010-3122		136-174MHZ
+14V REGULATOR				
IPN:		ISSUE:		ID:
220-01588-04		A		2.SC. 6
PROJECT:	DESIGNER:	FILE NAME:	FILE DATE:	NO.SHEETS:
TAIT ORCA	BRD	158804a	16-Nov-99	7

REV/ISS	AMENDMENTS			DRAWN	CHKD	D.O.	APVD	DATE
---------	------------	--	--	-------	------	------	------	------





© TAIT ELECTRONICS  
 ORCA :TP010-3122 136-174MHZ  
 VCO  
 IPN: 220-01588-04 ISSUE: A ID: 2.SC. 7  
 PROJECT: TAIT ORCA DESIGNER: BRD FILE NAME: 158804a FILE DATE: 16-Nov-99 NO.SHEETS: 7

REV/ISS	AMENDMENTS	DRAWN	CHKD	D.O.	APVD	DATE

AUDIO

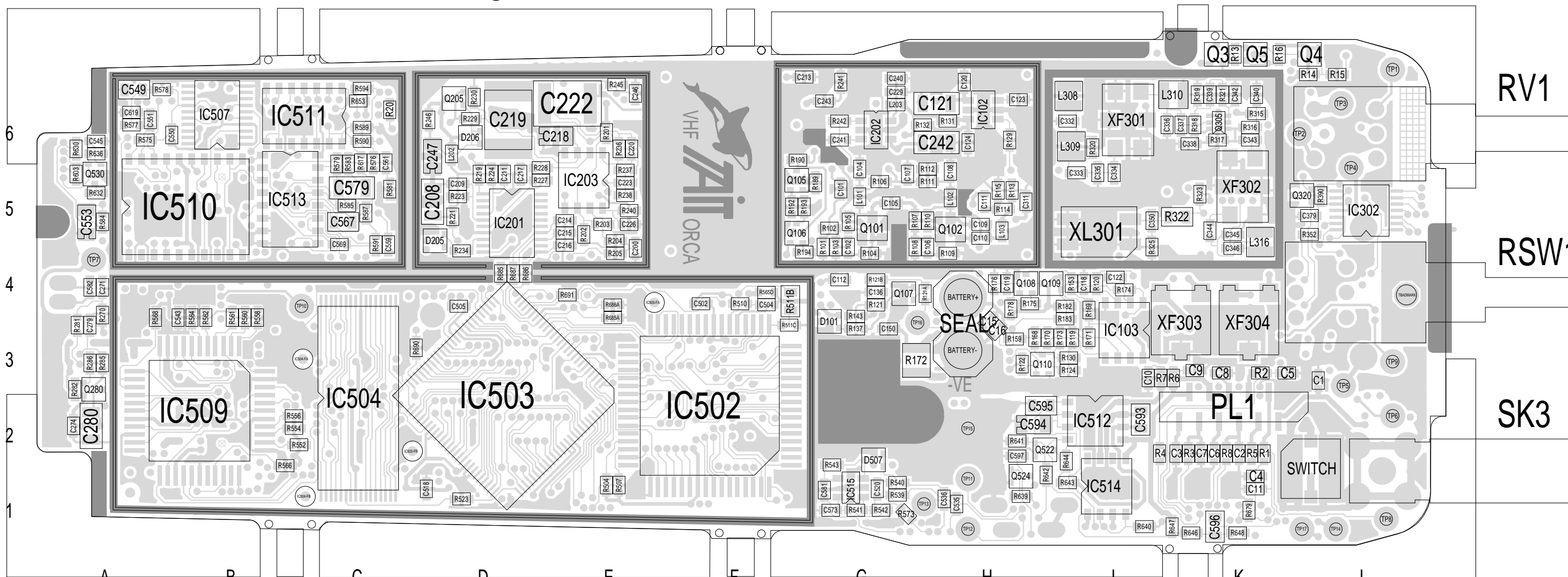
SYNTH

PA-EX

RV1

RSW1

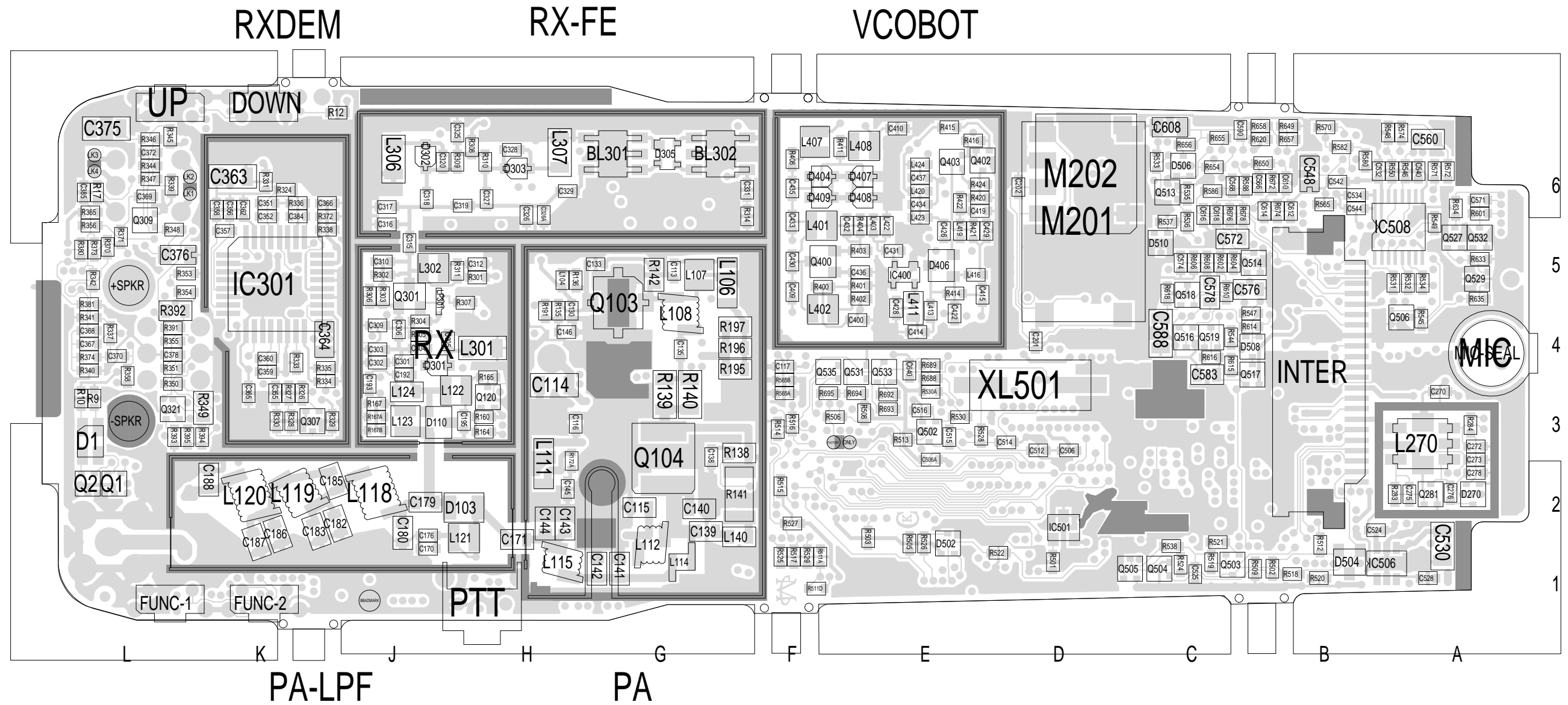
SK3



TAIT ELECTRONICS    IPN: 220-01588-04    ISS: A    ID: 1.TA    DATE: 16 Nov 1999  
 ORCA VHF PCB LAYOUT - TOP SIDE

Scale: 2.3:1 ;    Rotation: 0 degrees





TAIT ELECTRONICS IPN: 220-01588-04 ISS: A ID: 6.BA DATE: 16 Nov 1999  
 ORCA VHF PCB LAYOUT - BOTTOM SIDE

Scale: 2.3:1 ; Rotation: 0 degrees